

## Mounting instructions First LADY / Stewi LADY

### Important Note for existing ground tubes

Please verify – in case you have an existing ground tube – its diameter when you insert the pole of this rotary dryer into that ground tube. The following exterior dimensions of poles (central standing pipe) are used with the LADY series of rotary dryers:

	<u>Pole of rotary dryer Ø (outside)</u>
Stewi LADY	50 mm
First LADY	55 mm

Should you have a ground tube for 55 mm poles in your lawn, please be aware of the following:

When you insert the pole of this Stewi LADY rotary dryer with a 50 mm pole into a ground tube of 55 mm, you must use a reducing sleeve (No. 6301) to be put onto the pole of the Stewi LADY rotary dryer to avoid having a loosely set rotary dryer which is not set straight and where sand and dirt may hamper it rotating in windy conditions.

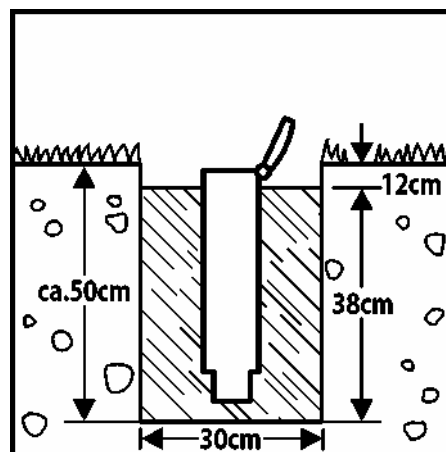
Should you have a ground tube of 50 mm (for poles with exterior Ø 50 mm) in the soil, you can insert the Stewi LADY rotary dryer like that. Check that there is no dirt in the ground tube and the rotary dryer may freely rotate when there is a breeze.

How can you distinguish between First LADY and Stewi LADY rotary dryer? "The First LADY rotary dryer always has a loop in the top of the rotary dryer (head part with extra-line), the Stewi LADY does not have this feature.

### How to set the Rotary Dryer

Choose a place where you set the ground tube, where the rotary dryer can turn freely.

Please cement the plastic ground tube according to the picture shown below:



### How to open

Remove the plastic head (top of rotary dryer) by sliding it a bit upward. Now the aluminium flaps (which protect the lines) are free. Push them towards somewhat more to the outside in order to allow easy opening by the pulling line (on height of hand).

The pull line is exactly on the height of your hand. Pull it until the rotary dryer engages. When the washing lines are not tight enough, push the bearer arm (near the pole/central star part) upward, until the clutching mechanism (central star part) engages one or two holes higher.

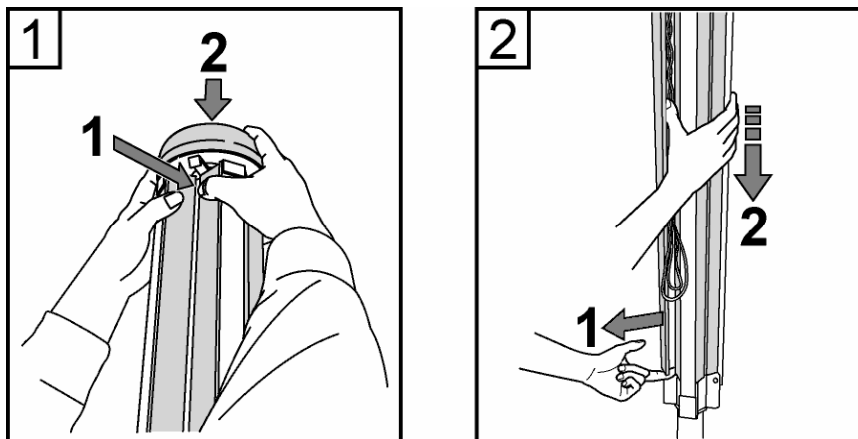
### How to close

Take the pull line into your hand, pull the red rocking lever (of the star part) towards you and let the upper part of the rotary dryer glide downwards.

Grab the aluminium flaps with both hands below the plastic head (top), so that you can slide the plastic head over the aluminium flaps. Thus, the aluminium flaps are secured by the plastic hooks (flap holders) under the plastic head. (See picture)

Bend down (in front of a Lady!) and pull the left aluminium flap (for right-handers) with your left hand towards the outside so that you can glide the washing lines with your right dumb between the opening of the two aluminium flaps. (See picture)

Turn the rotary dryer so that you can insert the washing lines into the next pair of the aluminium flaps until the lines are stored into all 4 pairs of aluminium flaps. (See picture)



### Maintenance

Remove the rotary dryer in the cold season from the ground tube and store it in the cellar. The plastic head (top of rotary dryer) has a longer life-span that way and does not bleach out. During the warm season you can leave the rotary dryer Stewi LADY outdoor when it is closed. It remains protected by its construction and use of aluminium (protective flaps) against atmospheric conditions and sun rays.

Basically the rotary dryer does not need a special care. We recommend you to apply some silicon spray onto the pole. This keeps the rotary dryer in better function.

### Warranty

We grant a five year warranty for the Stewi LADY rotary dryer for all mechanical parts and all functions.